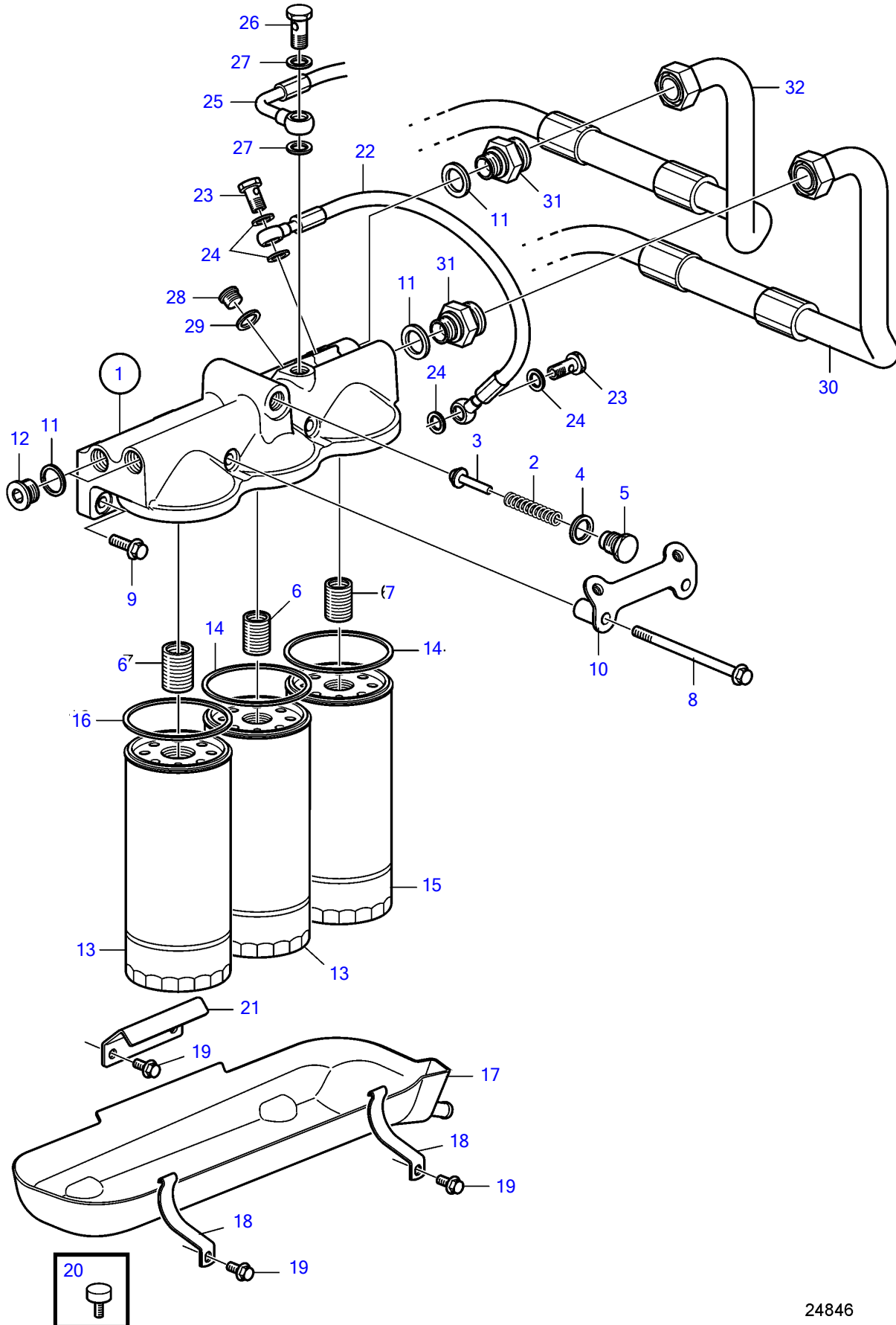


D13B-A MP, D13B-B MP, D13B-G MP, D13B-H MP



24846

D13B-A MP, D13B-B MP, D13B-G MP, D13B-H MP

REF	PART NO.	QTY	DESCRIPTION
1	11127988	1	Oil filter housing
2	466653	1	• Compression spring
3	471085	1	• Valve cone
4	976932	1	• Gasket
5	471598	1	• Plug
6	466623	2	• Nipple
7	469904	1	• Nipple
8	973098	2	Flange screw
9	946472	2	Flange screw
10		1	Bracket
11	982508	4	Gasket
12	1698627	2	Plug
13	478736	2	Oil filter
14		1	• Gasket
15	477556	1	Oil filter, by-pass
16		1	• Gasket
17	21113183	1	Spill plate
18	21205474	2	Bracket
19	946440	4	Flange screw
20	21275223	2	Rubber stop
21	21243266	1	Bracket
22	21382062	1	Oil hose
23	991048	2	Hollow screw
24	20852764	4	Sealing ring
25	21160750	1	Pressure hose, turbo
26	190714	1	Hollow screw
27	20852765	2	Sealing ring
28	984793	1	Plug
29		1	• O-ring
30	21175650	1	Oil pressure pipe
31	11158220	2	Adapter
32	21175652	1	Oil pressure pipe